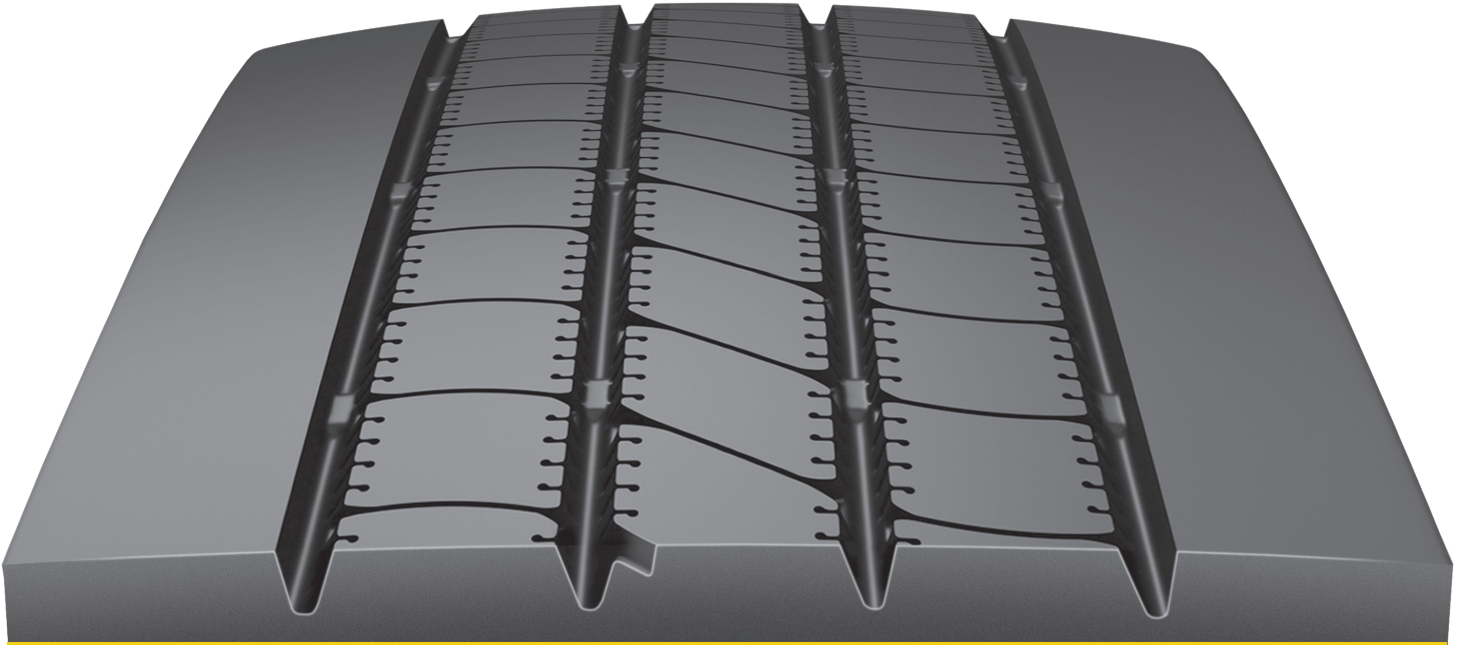




B123™ FUELTECH

Single- and Tandem-axle applications



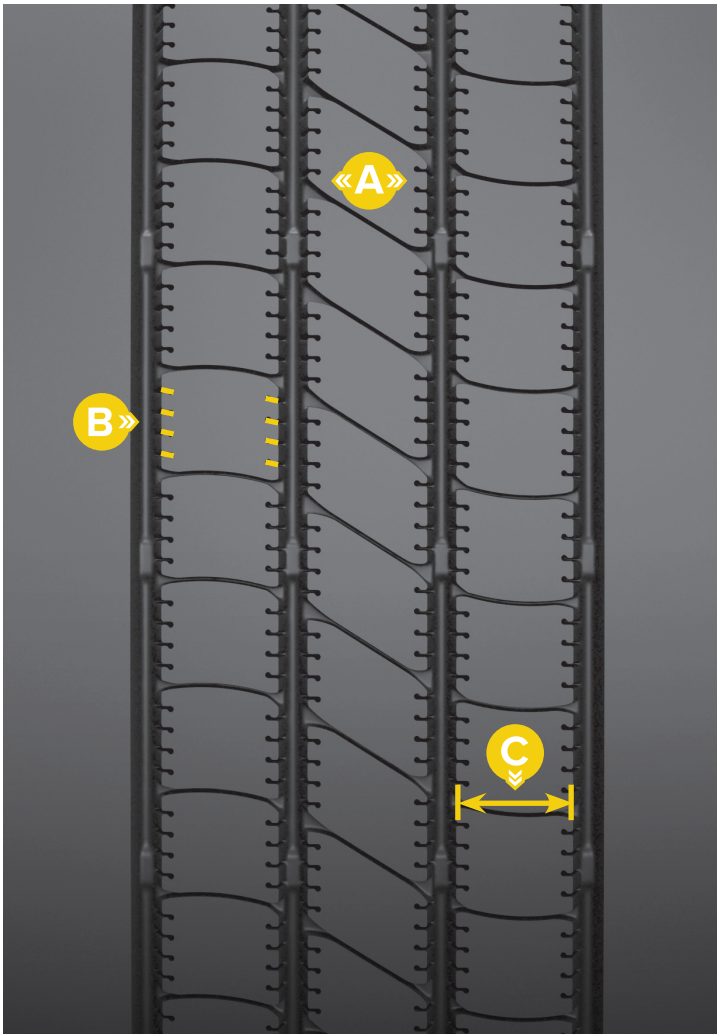
Fuel Efficient • Long Tread Life



THE FEATURES RUN DEEP

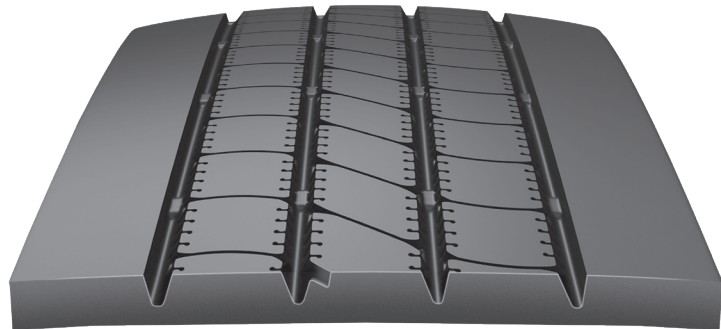
The Bandag B123 FuelTech tread combined with R123 casing reduces energy loss by 4.7% for optimum fuel efficiency. It is engineered to deliver a 5% improvement in wear performance compared to B197 FuelTech through an optimized tread design. The B123 rib design fights irregular wear which leads to longer tread life.





- A Fuel-Efficient Tread Design**
Promotes low rolling resistance for excellent fuel economy.
- B Stress-Relief Rib Sipes**
Fight irregular wear along main ribs by absorbing rib edge stresses in the footprint for long, even wear.
- C Optimized Tread Volume**
Helps create uniform pressure at the shoulder to minimize edge wear for longer tread life.

The B123 is available in 4 different sizes: **210, 220, 230 and 240.**



Build your fleet for better with Bandag. When you partner with Bandag, you'll get more miles out of less rubber. It's better for business, better for the environment and better for local economies.

For more information about Bandag retreads, please visit bandag.com.