

M775™

On-/Off-Highway Drive-Axle Radial
Designed for logging, oil field and severe service environments

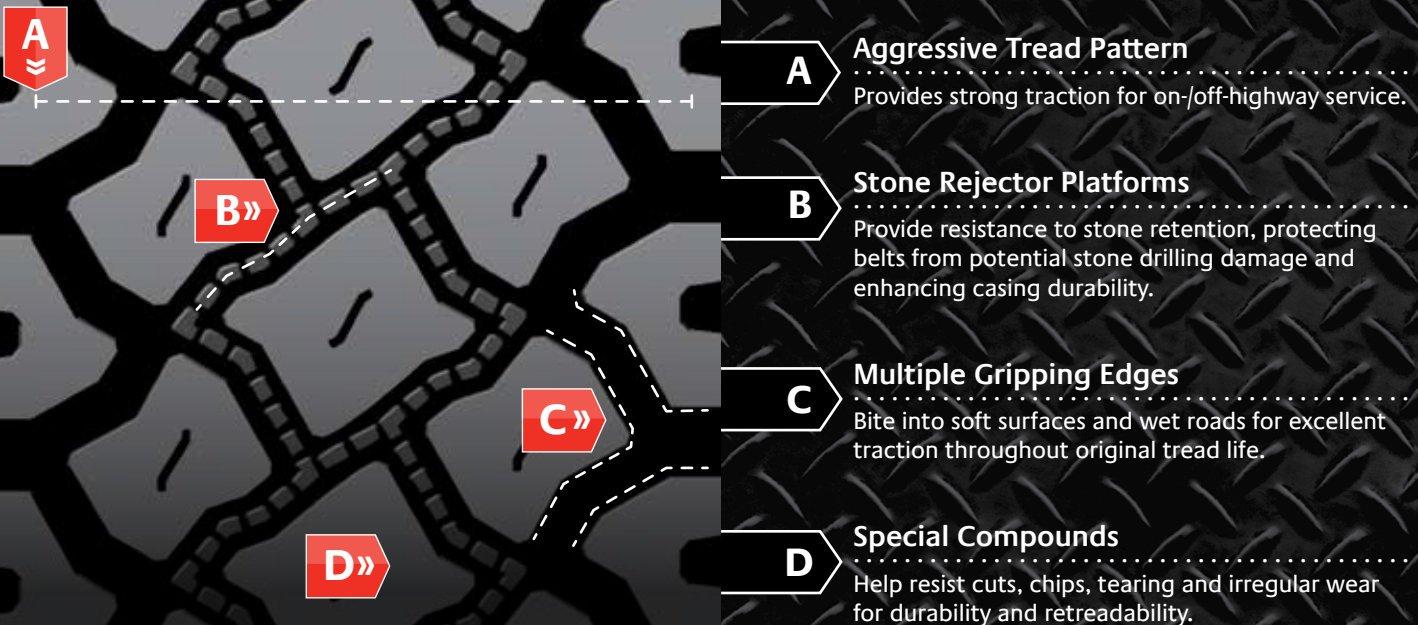
Long tread life ■ Strong traction ■ Cut resistant



PRECISELY THE RIGHT TIRE.

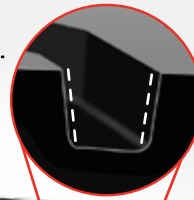
When you operate in tough terrain, you can't afford anything that doesn't stand up to the punishment. The Bridgestone M775 starts with extra-deep tread for long original life. This workhorse is built to resist cuts and chips and reduce stone retention while promoting traction both on and off road. Under severe service conditions, the M775 will help you move forward with confidence.

M775 Innovations



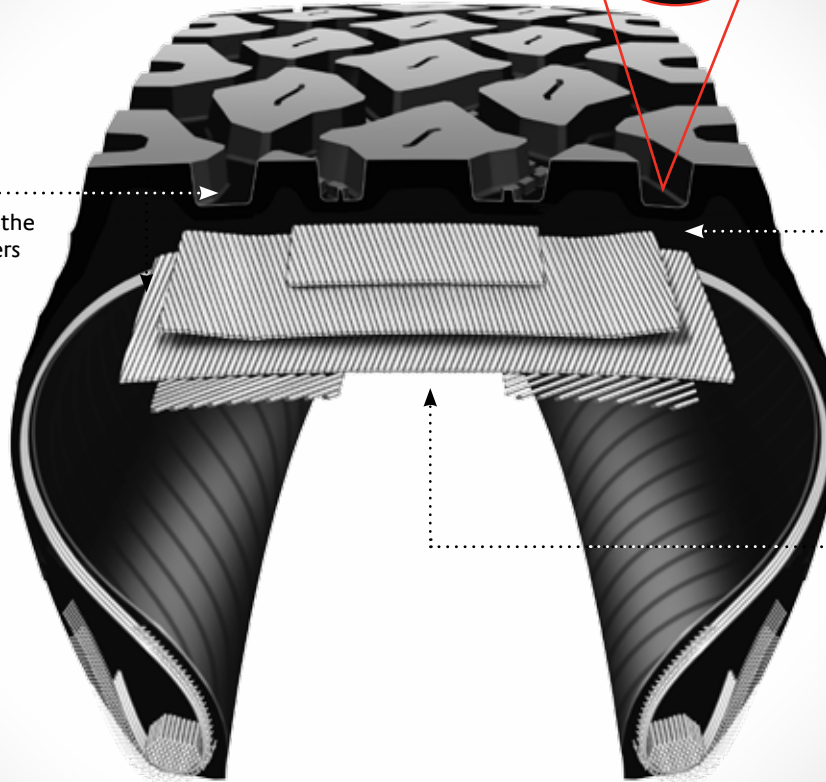
Optimized Groove Angles

Help prevent stones and job site debris from becoming trapped in tread grooves, enhancing durability and retreadability.



Extra-Deep Tread

At more than 32/32nds, the deep block design delivers long original tread life.



Cap/Base Compounding

Delivers longer wear life while providing resistance to cuts, chips, tearing and irregular wear.

Split-Belt Construction

Provides flexibility in maneuvering over rough terrain, delivering extra casing protection for long-lasting durability.

• Image depicts 12R22.5 tire size.

M775 Tire Sizes	Load Range	Material Number	Weight (Lbs/kg) [†]	Meas. Rim (in.)	Overall Diameter (in./mm)	Overall Width (in./mm)	Overall Width Loaded (in./mm)	Static Loaded Radius (in./mm)	Revolutions per Mile/km	Tread Depth (32"/mm)	MAX TIRE LOAD		Max Speed (mph/kph)
											Single Lbs@PSI/kg@kPa	Dual Lbs@PSI/kg@kPa	
11R22.5 metric	H	202-604	141 63	8.25	42.6 1082	10.8 274	11.9 302	19.8 503	487 303	33 26	6610@120 3000@830	6005@120 2725@830	65 104
12R22.5 metric	H	202-621	155 69	9.00	43.7 1110	11.6 295	12.7 323	20.3 516	476 295	34 27	7390@120 3350@830	6780@120 3075@830	65 104
11R24.5 metric	H	157-767	157 68	8.25	44.6 1133	10.8 274	11.9 302	20.8 528	465 289	33 26	7160@120 3250@830	6610@120 3000@830	65 104

Warranty and limitation information is available at bridgestonetrucktires.com or from your Bridgestone representative, dealer or truck stop.

[†]Estimated, subject to change.

Bridgestone Casings & Bandag Retreads: State-of-the-Art Smart. Pairing your Bridgestone casing with a Bandag retread, such as the complementary BDY2™ extends the life of your tires and keeps your money where it belongs — with you. With specialized tread patterns that stand up to your operation's demands, plus cutting-edge compounds that resist wear and tear, Bandag retreads perform like new tires at a fraction of the cost. To get all the facts, scan the code or visit retreadinstead.com.



Prove it to yourself. Run the only test that really matters: Try the M775 on your trucks, on your routes and with your drivers — in short, in your world. See for yourself how the M775 can cut your cost per mile. Call your Bridgestone representative today!

