

R192E *All-Position Radial*

Designed specifically for Urban Transit

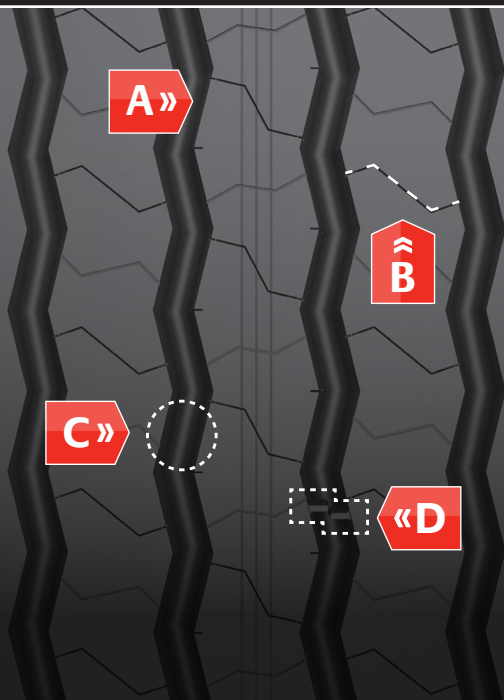
Ultra-Low Rolling Resistance ■ High Load Capacity

INNOVATION TO EMPOWER THE ADOPTION OF ELECTRIC BUSES

Bridgestone is proud to introduce Bridgestone R192E, our first ever tire designed specifically with electric bus applications in mind. Though the Bridgestone R192E is compatible with all bus types, the high load capacity and ultra-low rolling resistance are innovative solutions to some of the most pressing challenges facing electric bus adoption. The Bridgestone R192E equips buses for full capacities and longer routes on a single charge, maximizing positive environmental and social impact.



R192E Innovations



A Multiple Gripping Edges
Provide biting edges that help promote wet traction.

B Cross-rib Sipes
Improve traction by slicing through water for a solid grip on wet roads.

C Wide Grooves
Provide a void for efficient water evacuation.

D Groove Fence
Aids in reducing noise for a quieter ride.

R192E Innovations

Thick Tread Gauges

Enhance retreadability.

All-steel Casing and Belts

Four steel belts and a tough steel body ply add protection from penetrating road hazards.

Tread Depth

The 21/32" tread depth promotes long original life.

Advanced Base Tread

The base compound shields the casing from damaging heat, enhancing retreadability.

Sidewall Wear Indicators

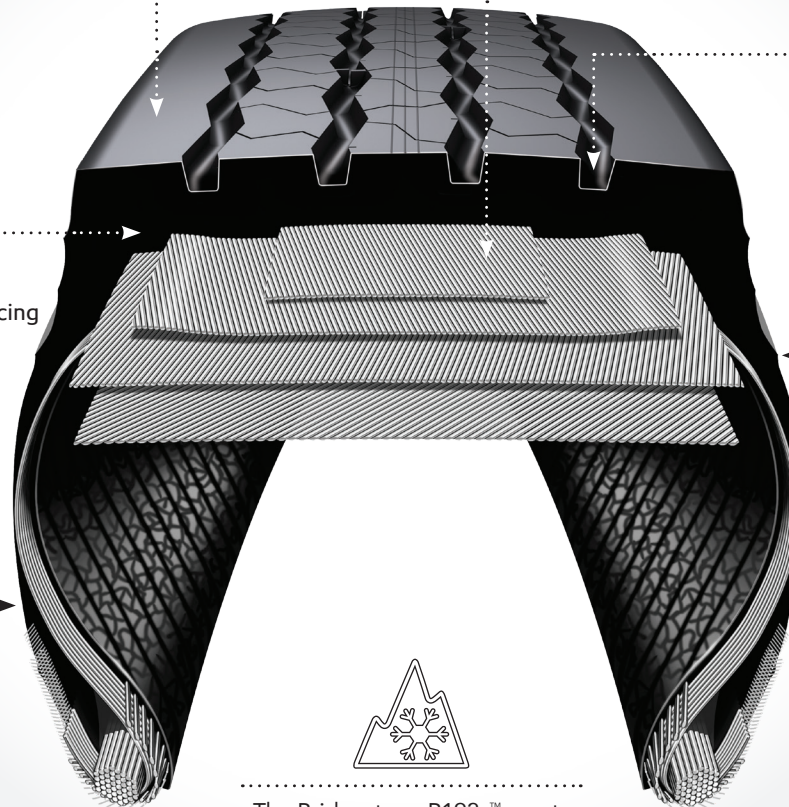
Aid in the visual identification of sidewall wear due to severe curbing.

Tough Sidewall Protection

Reinforced sidewalls minimize scuff damage and curb abrasion during frequent stopping and starting.

M+S Stamping on Sidewall

For mud and snow operation



The Bridgestone R192E™ meets 3 Peak Mountain Snow Flake (3PMSF) criteria for snow traction performance.

M704 TIRE SIZE	Load Range	Article Number	Weight [lbs/kg]	Meas. Rim [in]	Overall Diameter [in/mm]	Overall Width [in/mm]	Static Loaded Radius [in/mm]	Overall Width Loaded [in/mm]	Revs [per mile/km]	Tread Depth [32"/mm]	Max Load Capacity		Inflation Pressure [PSI/kPa]	Max Speed [mph/kph]
											Single [lbs/kg]	Dual [lbs/kg]		
315/80R22.5 metric	L	13298	144 65	9.00 --	42.6 1082	12.4 315	19.8 503	13.6 345	488 398	21 17	10000 4535	9090 4125	130 900	75 120

Warranty information is available at bridgestonetrucktires.com or from your Bridgestone representative, dealer or truck stop.

Bridgestone Casings & Bandag Retreads: State-of-the-Art Smart. Pairing your Bridgestone casing with a Bandag retread extends the life of your tires and keeps your money where it belongs — with you. With specialized tread patterns that stand up to your operation's demands, plus cutting-edge compounds that resist wear and tear, Bandag retreads perform like new tires at a fraction of the cost. To get all the facts visit Bandag.com.

Prove it to yourself. Run the only test that really matters: Try the R192E on your buses, on your routes and with your drivers — in short, in your real world. See for yourself how the R192E can cut your cost per mile. Call your Bridgestone representative today!

BRIDGESTONE
Solutions for your journey